



Prestel NCS-IPEX

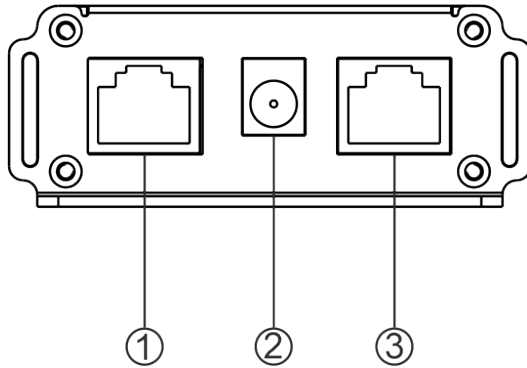
IP Network Backup Expander



USER MANUAL

Interface Description

Front Panel

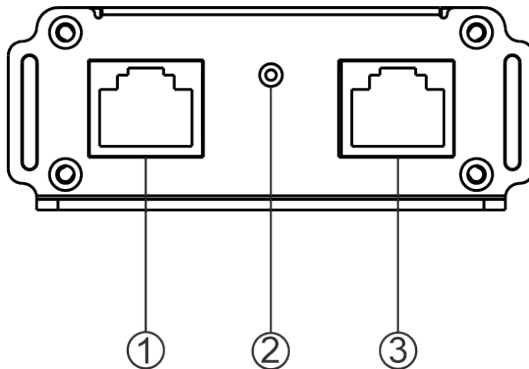


①IN1/POE: RJ45 network interface. Insert an Ethernet cable to connect to a switch; POE power supply is supported.

②Power Interface: Connect to a DC30V 3A power adapter

③IN2: RJ45 network interface. Insert an Ethernet cable to connect to a switch.

Rear Panel

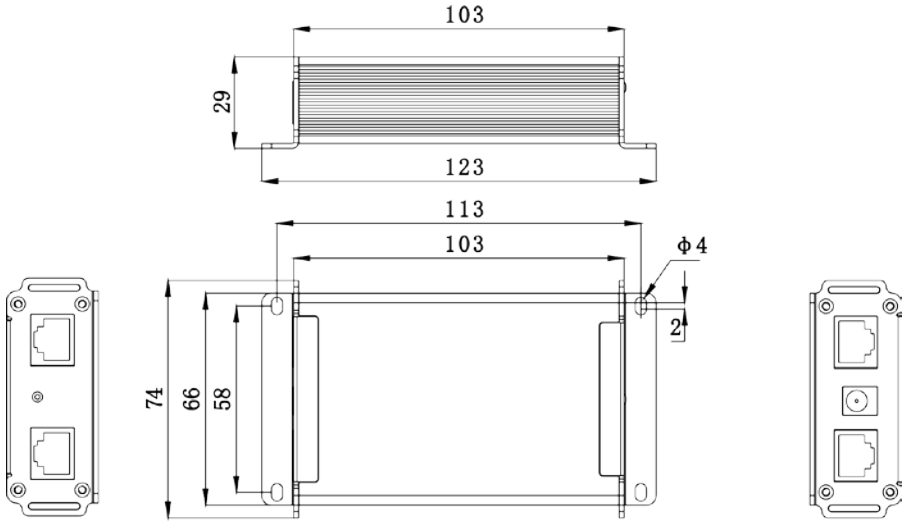


①OUT2: Connect any network port of microphone A.

②Status Indicator Light: The red light is on when power is supplied; the light is off when power is cut off or the repeater malfunctions.

③OUT1: Connect any network port of microphone B.

Product Dimension Diagram (unit : mm)



Packing List



Power adapter
1pcs(DC30V/3A)



Installation
manual 1pcs



Certification
1pcs